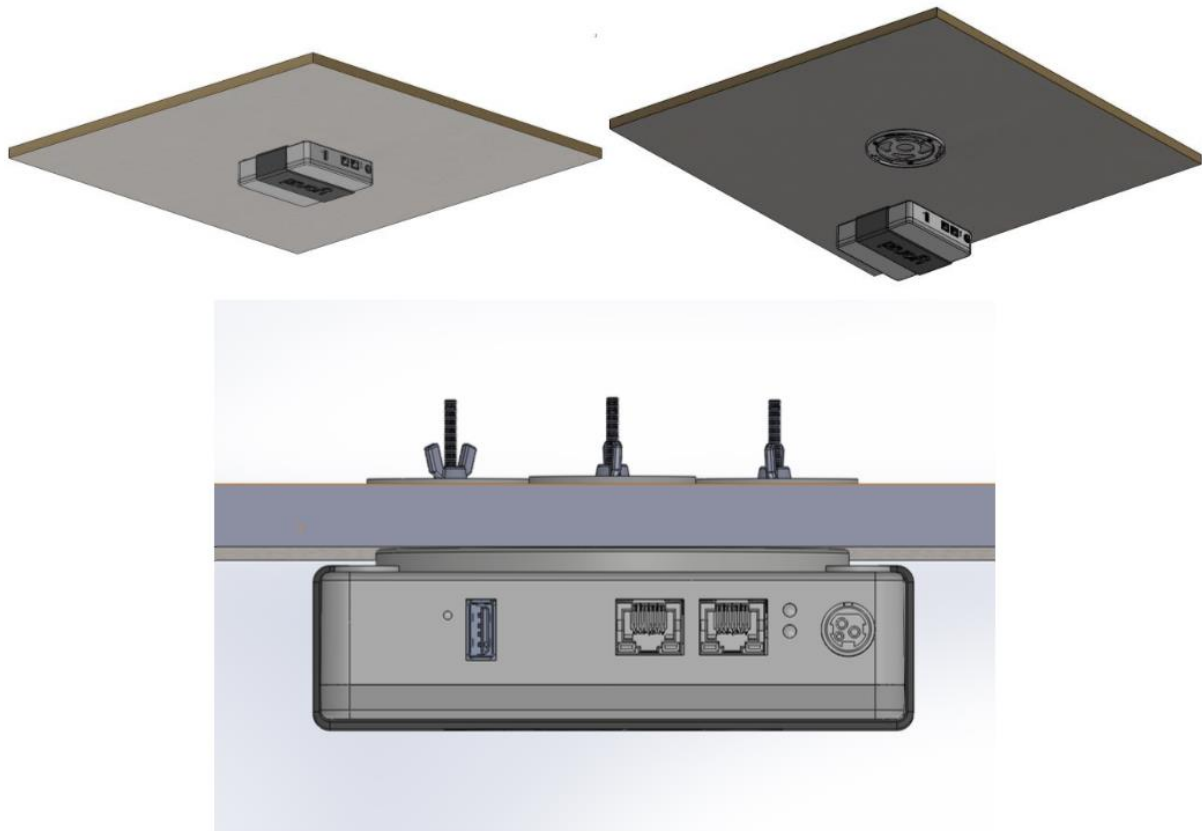


Gateway and access point wall and ceiling mount

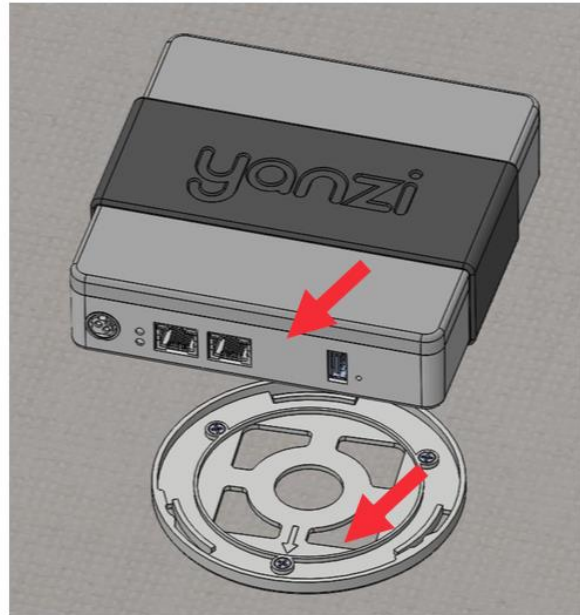
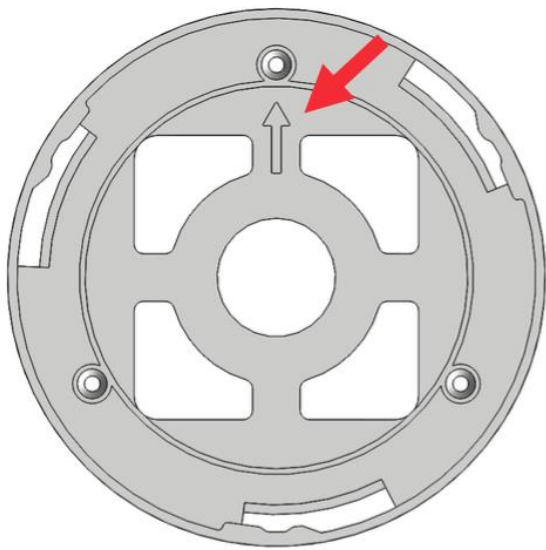
Yanzi IoT Gateway 2/DR3-3143 revision R1E and later revisions features a Wall and Ceiling Mount. Please note that this wall and ceiling mount does not fit previous revisions of the gateways.



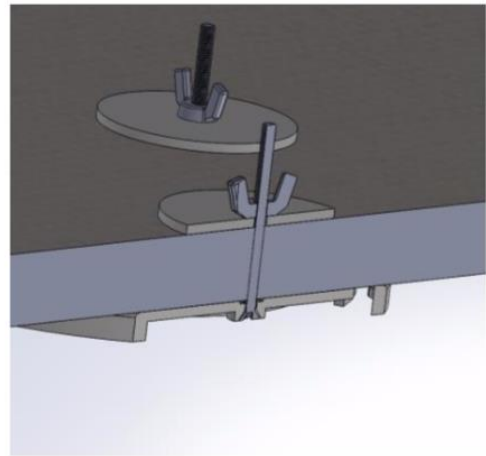
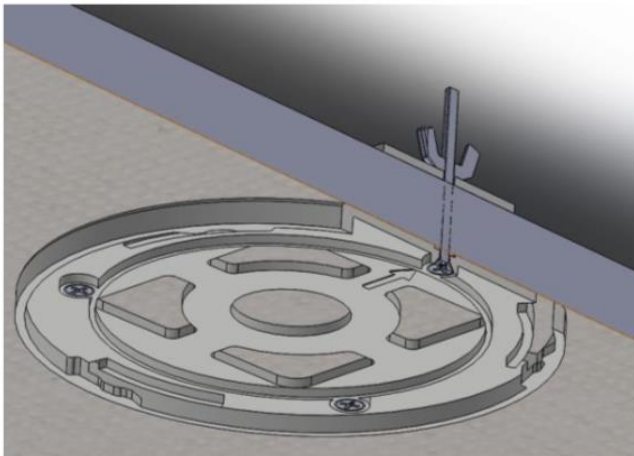
Yanzi IoT Gateway 2 attached to a drop-in ceiling tile.

After attaching the wall and ceiling mount to the drop-in ceiling tile the Gateway snaps into place by twisting it clockwise.

The arrow on the wall and ceiling mount should be used as a reference during the installation. When the gateway has been snapped into place the arrow should be pointing towards the front panel of the gateway. This simplifies cable arrangement during the installation.



Figures below show a section view of the correct installation for secure attachment to a drop-in ceiling tile:



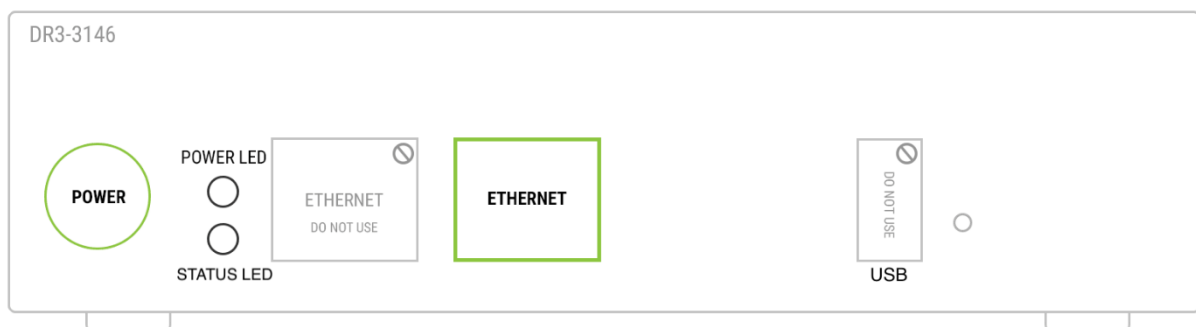
Section view showing correct installation on a drop-in ceiling tile.

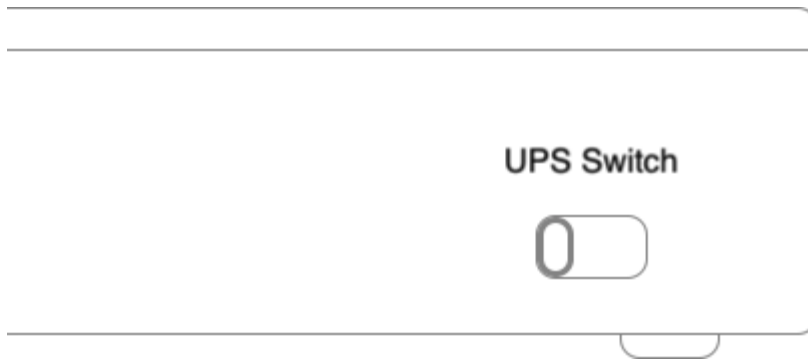
Gateway LED Behavior

The Yanzi IoT Gateway 2 have [two LEDs](#) that indicate current power and operational status.

Gateway LED State	Yanzi IoT Gateway 2
<i>Top LED (Power)</i>	
Off	Power is off
Steady green	Power applied and the gateway is turned on
Steady orange	Hardware error
<i>Bottom LED (Status)</i>	
Off	Status LED is off whenever the gateway is off and during boot
Blinking green	Gateway is ready to be registered in the portal
Steady green	Gateway is connected to the portal
Blinking orange/yellow	<p>Cloud connection error, i.e. the gateway can't reach the cloud.</p> <p><i>For Ethernet-based gateways, please ensure you are following the network requirements</i></p> <p><i>If you are using a IoT Gateway 4G, this could indicate that all the monthly data has been consumed</i></p>

Gateway ports and switches





Port	Description
Power Port	Only use the included Yanzi Wall Adapter.
Ethernet Port	1x 10/100 Ethernet port (DR2-88xx) 2x 10/100 Ethernet ports (DR2-89xx) 2x 10/100 Ethernet ports (DR3-31xx)
UPS Switch	Enables/disables built-in battery backup. Push to front to disable. Push towards rear to enable.
Power/Status LED	Indicates power and operational status. See LED Behavior
USB Port	Reserved. Do not use.