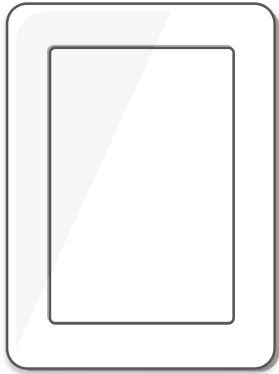


ROOMPANEL T230

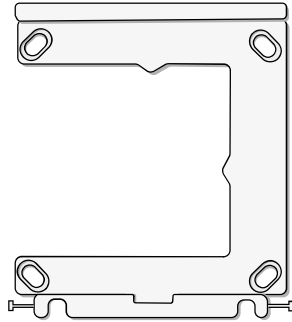
Installation Manual

Included Items



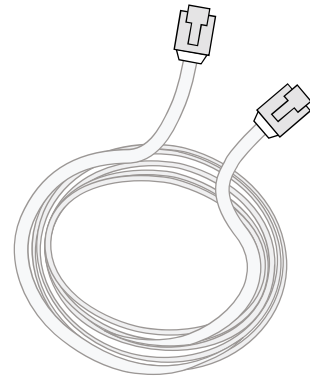
1x

Roompanel T230



1x

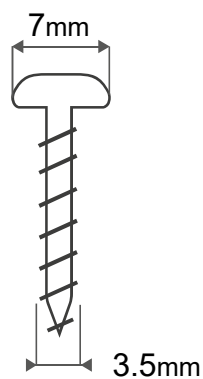
Mounting Bracket



1x

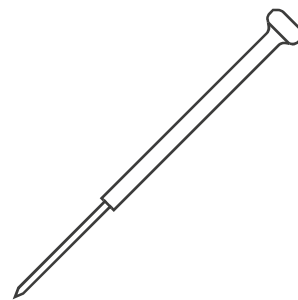
*Ultra Thin 1mm
Ethernet Cable
5 meters*

Required Items



4x

Screw with Flat Bottom Head



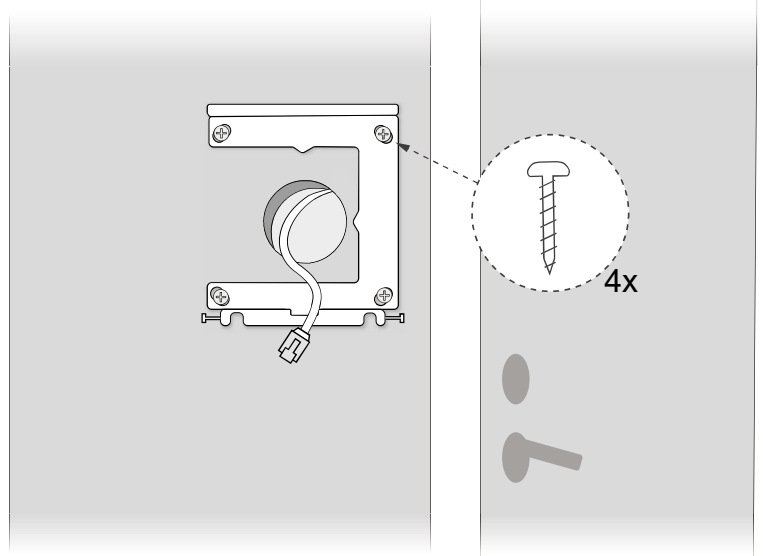
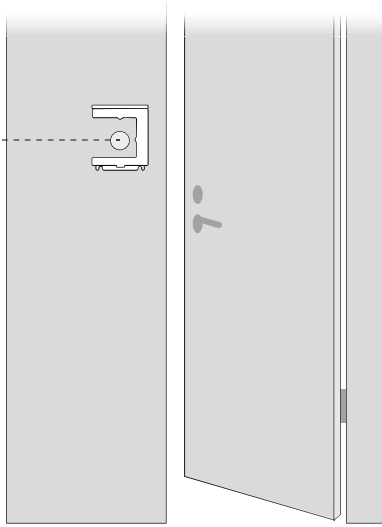
1x

*Philips #0
Precision Screwdriver*

1

Mount Bracket and Install Included Cable

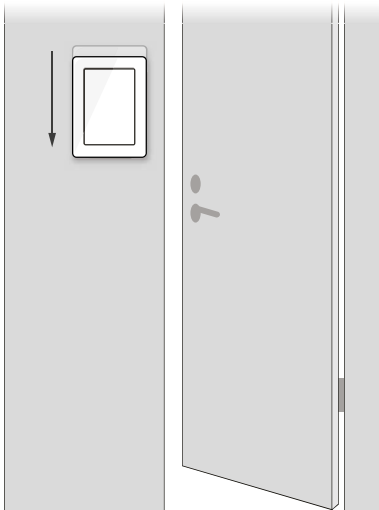
1400mm

**Always use the included cable!**

*Using any other cable will cause interference issues.
The product may not function properly.*

2

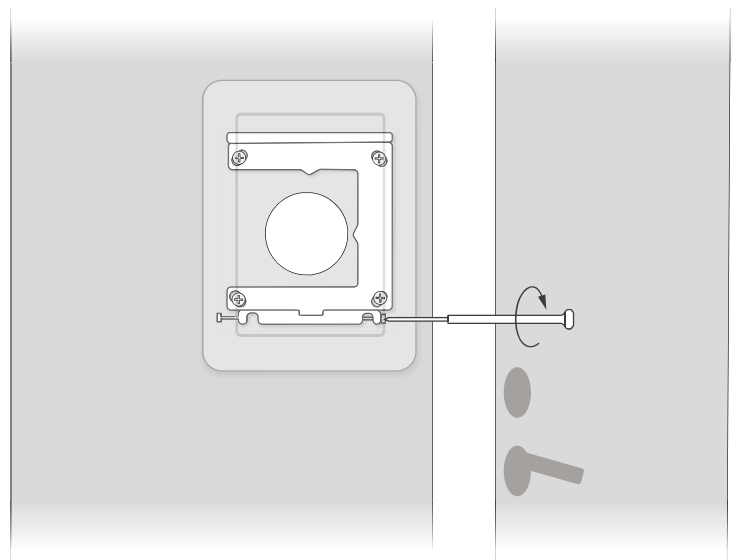
Attach Roompanel to Bracket



Push the Roompanel up against the wall.
Slide down to secure.
If panel is mounted in Portrait mode -
slide to the right to secure.

3

Tighten Bracket Screws



Please note - If mounting the panel in
Portrait mode, it is extra important to
tighten bracket screw.